

# SPECIFICATIONS

Model	UNI-9
Weighing Capacity *1	0 - 6kg × 0.002kg / 6 - 15kg × 0.005kg
	0 - 15lb × 0.005lb / 15 - 30lb × 0.01lb
	30kg / 60lb capacity optional remote scale only × 0.01kg (0.02lb) or 0.005kg (0.01lb) selectable
Weighing Accuracy	1/3000 (Multi Interval)
	1/6000 (Single Interval) for 30kg / 60lb capacity optional remote scale
Display	Operator side: Backlit color LCD touch panel, 8.4inch (800 × 600) for DB, 12.1inch (800 × 600) for other models
	Customer side: Backlit color LCD panel, 7inch (800 × 480) for B, H and DB, 12.1inch (800 × 600) for other models
Tactile Keys	18 Keys for DB only
Printing method	Direct thermal
Print Head	3inch direct thermal (960dots), 12dots/mm, 80mm wide head for other models
	2inch direct thermal (448dots), 8dots/mm, 80mm wide head for H
Printing Speed	100 / 120 / 150mm / sec (3.9 / 4.7 / 5.9inch / sec)
Print Area	Width: 30 - 80mm (1.2 - 3.1inch) for other models, 30 - 56mm (1.2 - 2.2inch) for H
	Height: 20 - 200mm (0.8 - 7.9inch)
Label Size(with backing paper)	Width: 30 - 82mm (1.2 - 3.2inch) for other models, 30 - 64mm (1.2 - 2.5inch) for H
Label Roll Size	Inner core diameter φ40mm ±1mm (1.5inch)
	Outer roll diameter Under φ100mm (3.9inch) or less
Power Supply	Single phase, AC 100 - 240V (+10% / -10%), 50/60Hz
Power Consumption	Stand-by: 60W, In operation: 180W *3
Weight	B,BP,DP: 12kg
	XL: 10kg
	EV,P,SP: 16kg
	H: 17kg
SS: 14kg	
Operation Environment	Temperature: 0°C - 40°C(32° F - 104° F) , Humidity: 20% - 85% (No condensation)
Interface	Ethernet × 1 (1000B-T)
	Wireless 802.11b/g *2
	USB × 4 (USB 2.0)
	SD x 1 (SDHC: MAX 4GB) *4
	Drawer × 1
	Scanner via USB interface
Standards	UL, cUL, CE, C-tick, NTEP type approval

Specification subject to change without notice.

\*1: Factory fitted option

\*2: Optional

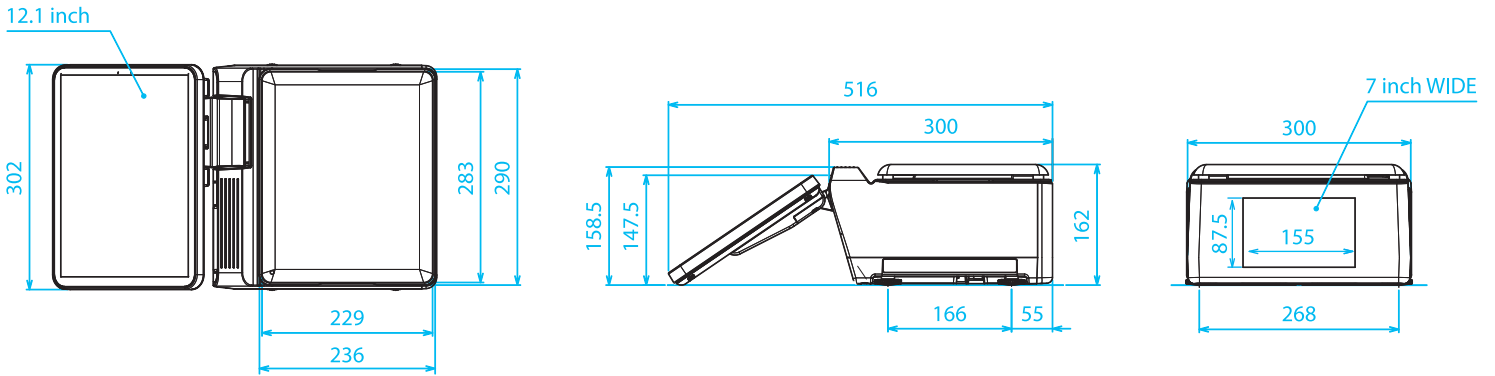
\*3: Power consumption varies dependent on site conditions and machine setup.

\*4: for transaction data

# DIMENSIONS

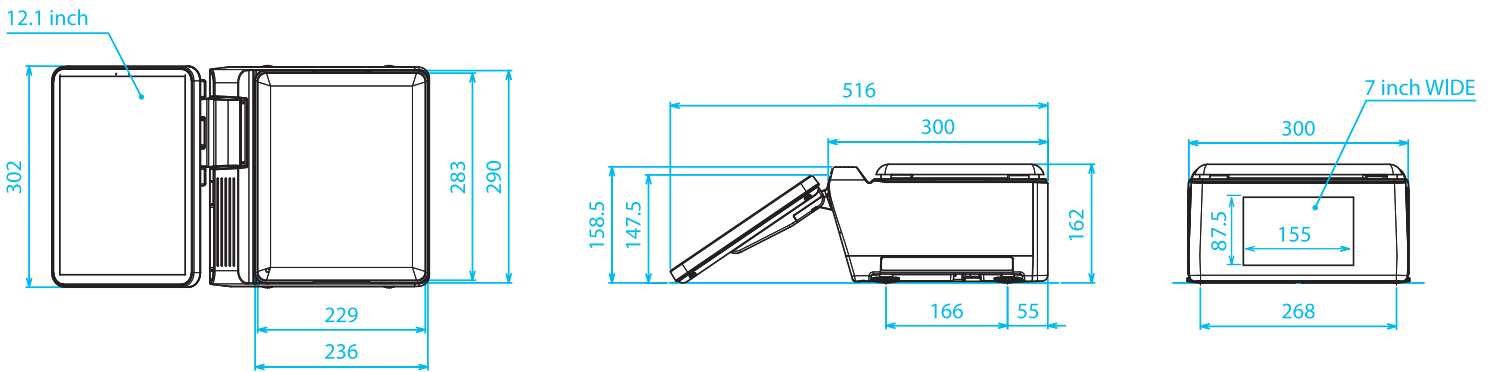
## Bench type (B)

Customer display 7 inch



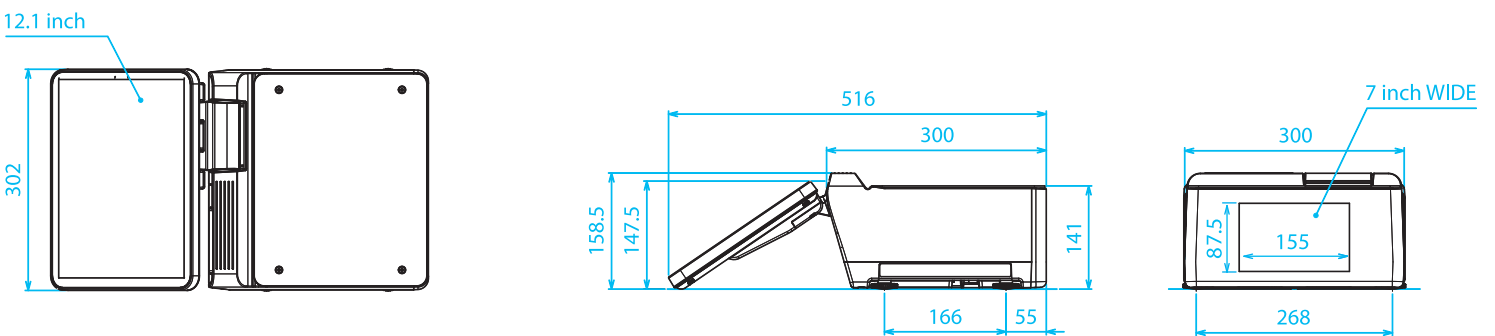
## Bench type (BP)

No customer display



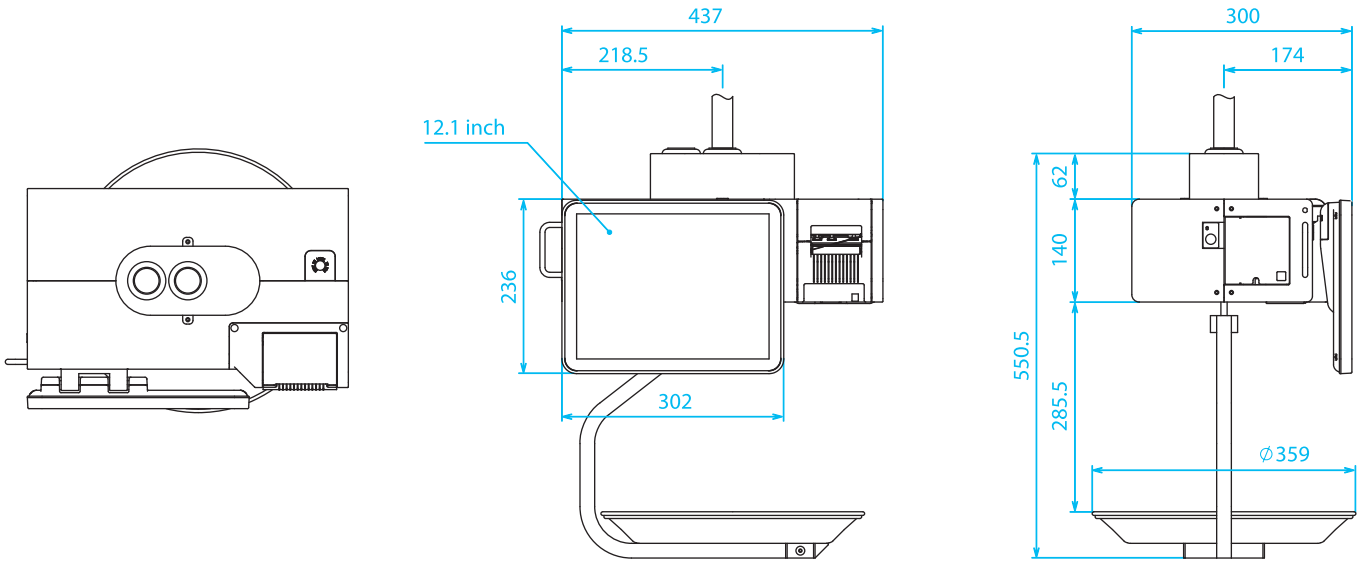
## Bakery type (XL)

No customer display / No scale

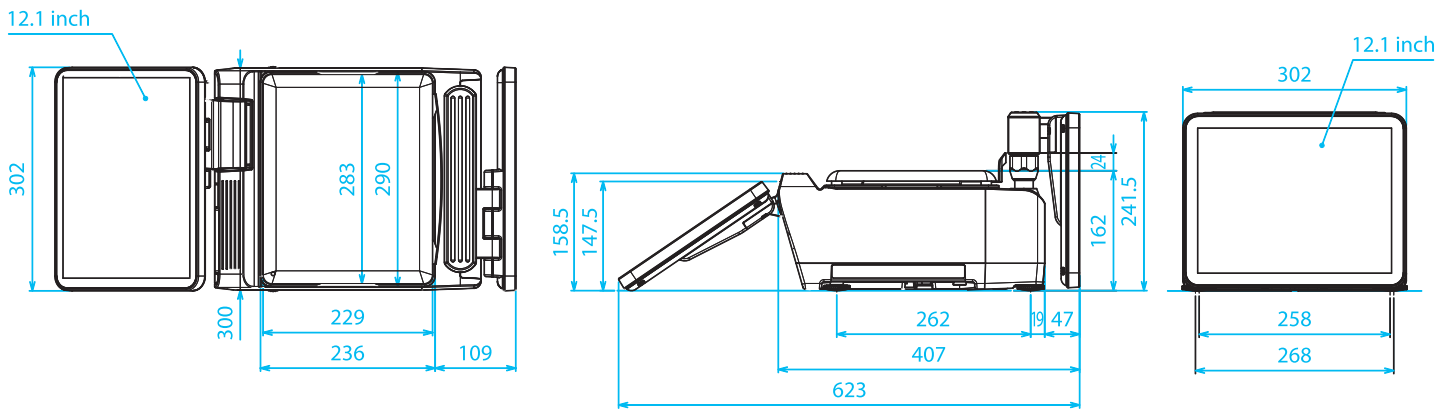


# Hanging type (H)

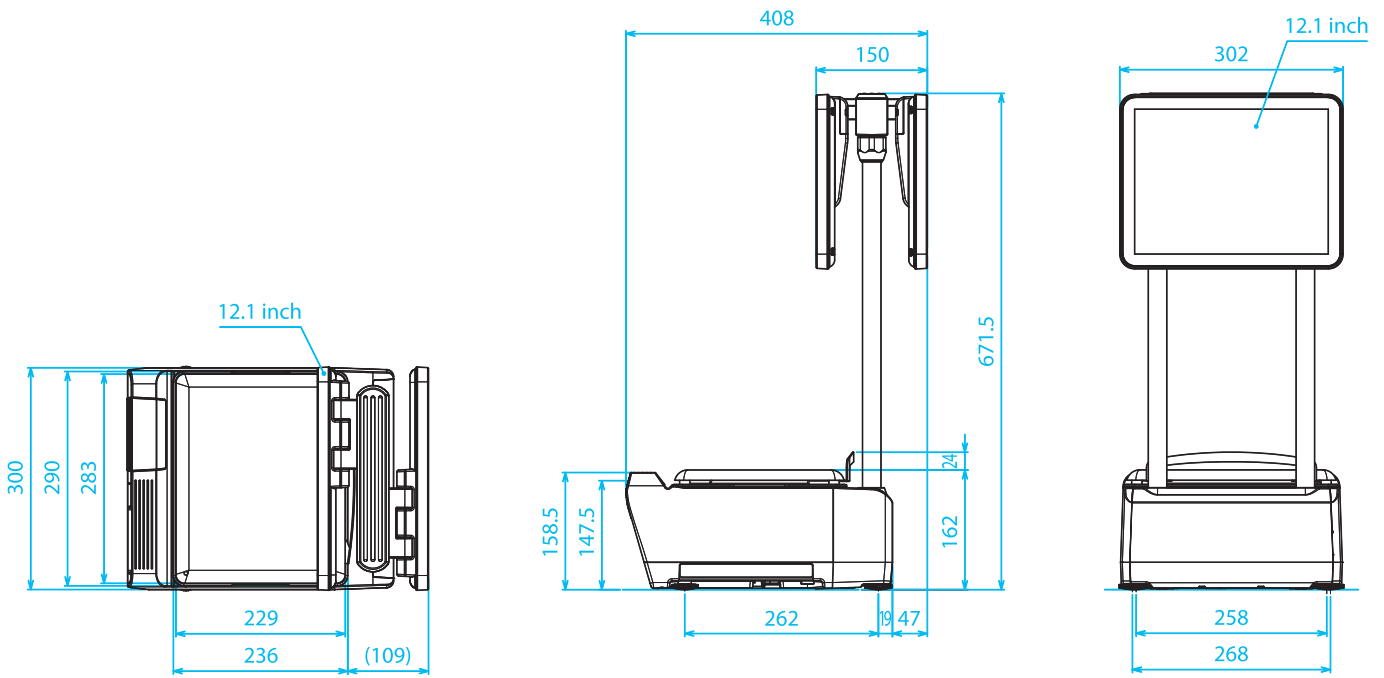
Customer display 7 inch



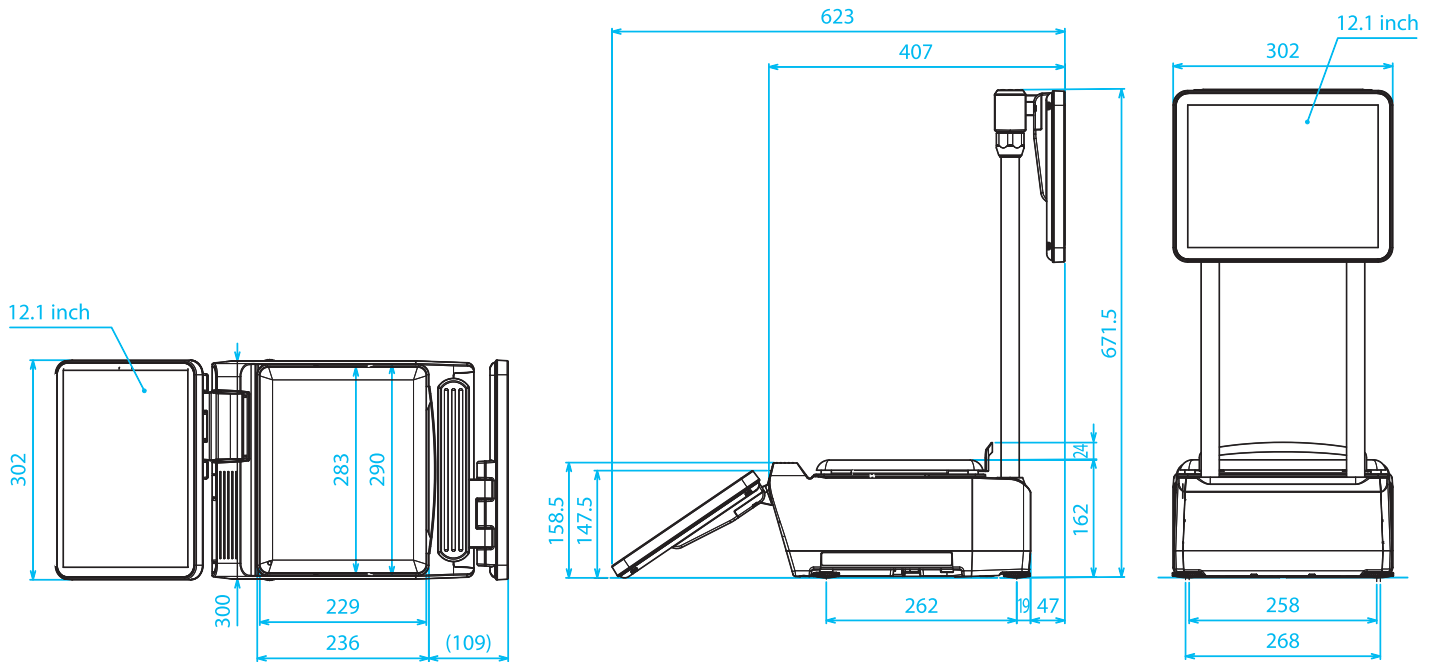
# Short pole type (SP)



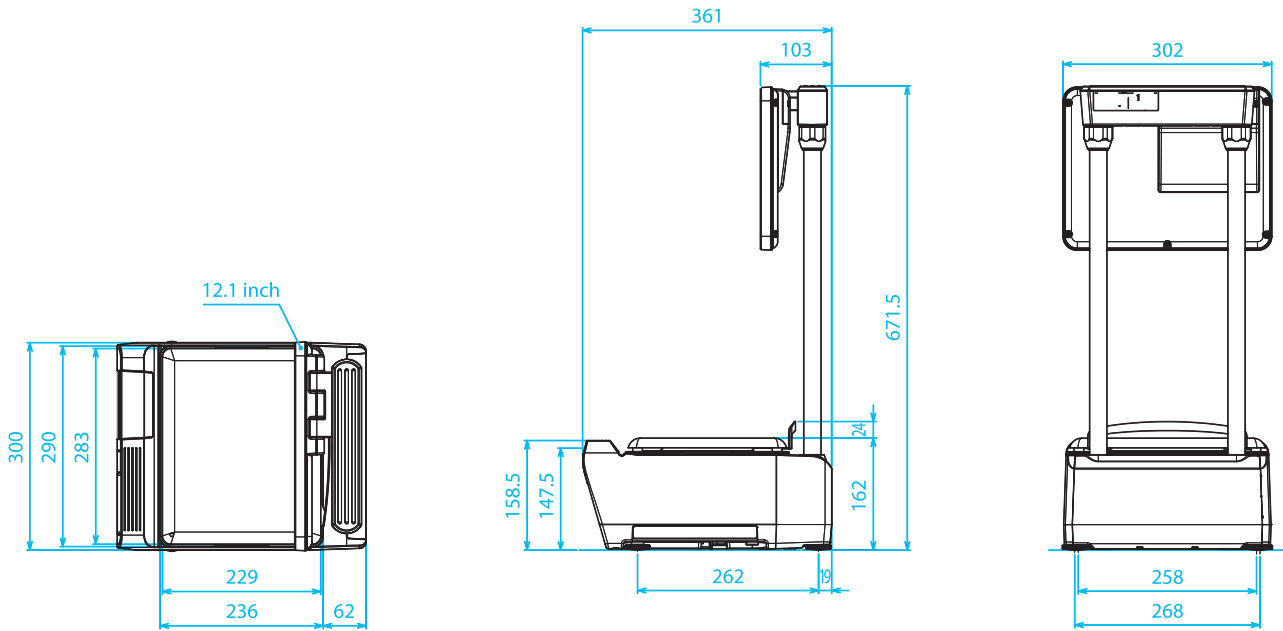
## Elevated type (EV)



## Pole type (P)

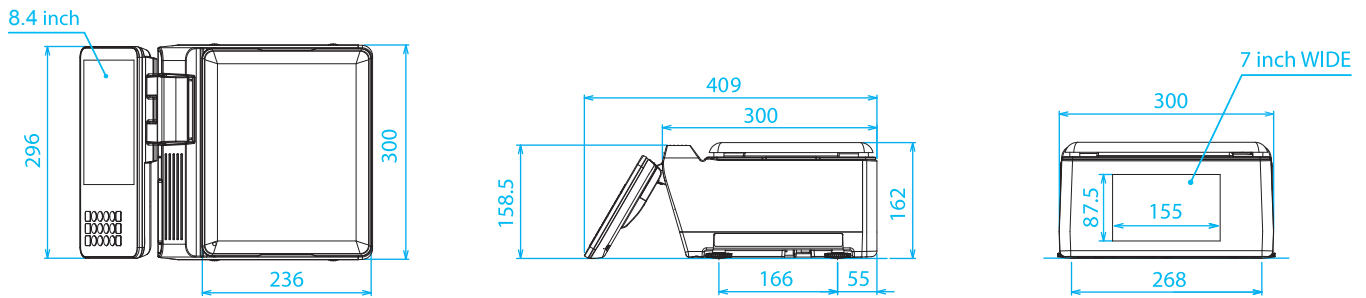


## Self-service type (SS)



## Compact operator display type (DB)

Operator display 8.4 inch



**ISHIDA CO., LTD.**

44, SANNO-CHO, SHOGIN SAKYO-KU,  
KYOTO 606-8392 JAPAN

Phone : 81-75-771-4141 Facsimile : 81-75-751-1634