



30x  = 2 l/min 

The proven standard in self-service.

The finest self-service machine, proven internationally in the retail and Horeca sector – the highest quality for pure enjoyment and design.

- | **Automatic feeding of oranges (17kg fruit capacity)**
- | **self-service operation and continuous mode for pressing large quantities**
- | **2-Zone-Technology for highest hygiene and time efficiency**
- | **Precision cutting SCS Up & Down ensures highest juice purity**
- | **Userfriendly disassembly thanks to Cross Holder and Double Cover**
- | **Hightech functions like intelligent stop and multifunctional display**
- | **Manual Transport System (MTS): easy cleaning of the fruit sieve**
- | **Made of food-grade stainless steel for improved hygiene and outstanding durability**



FANTASTIC F/SB

Fruits per minute
30 pcs. (= 2 liter juice)

Fruit supply
17 kg

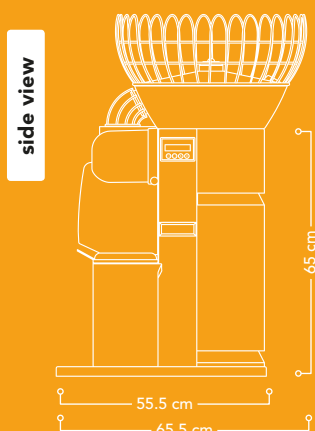
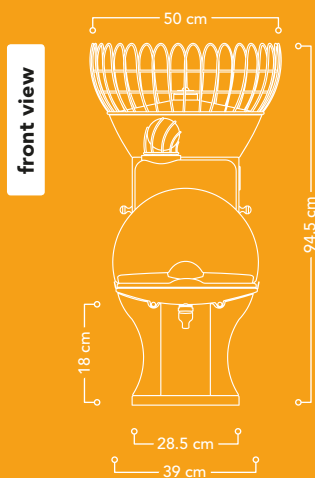
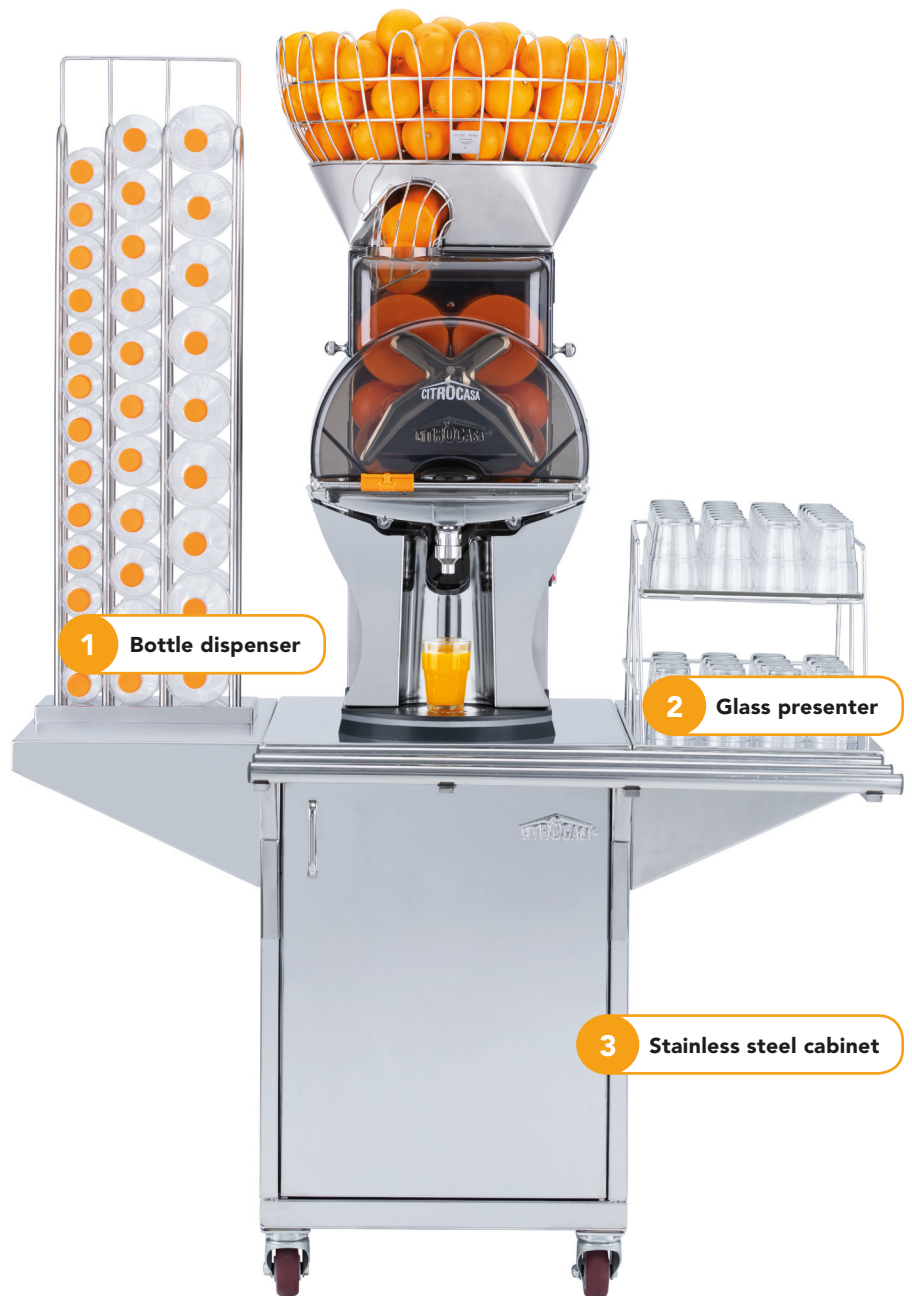
Optimal fruit size
Ø 65 – 78 mm

Net weight
56 kg

Power
200 W

Fuse
6.3 A

PERFORMING FRESHNESS



Optional accessories:

- 1 Dispenser for bottles (0.25 | 0.33 | 0.5 | 1 liter), mountable left or right
- 2 For perfect presentation at a buffet, mountable left or right
- 3 Stainless steel cabinet for high mobility and perfect convenience

Further accessories: lemon kit, tray slide, shop in shop system, countertop installation kit, lockable fruit basket, refrigerator, crushed ice cabinet, etc.

